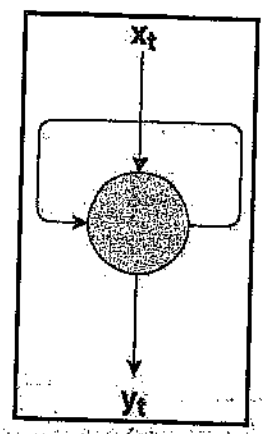
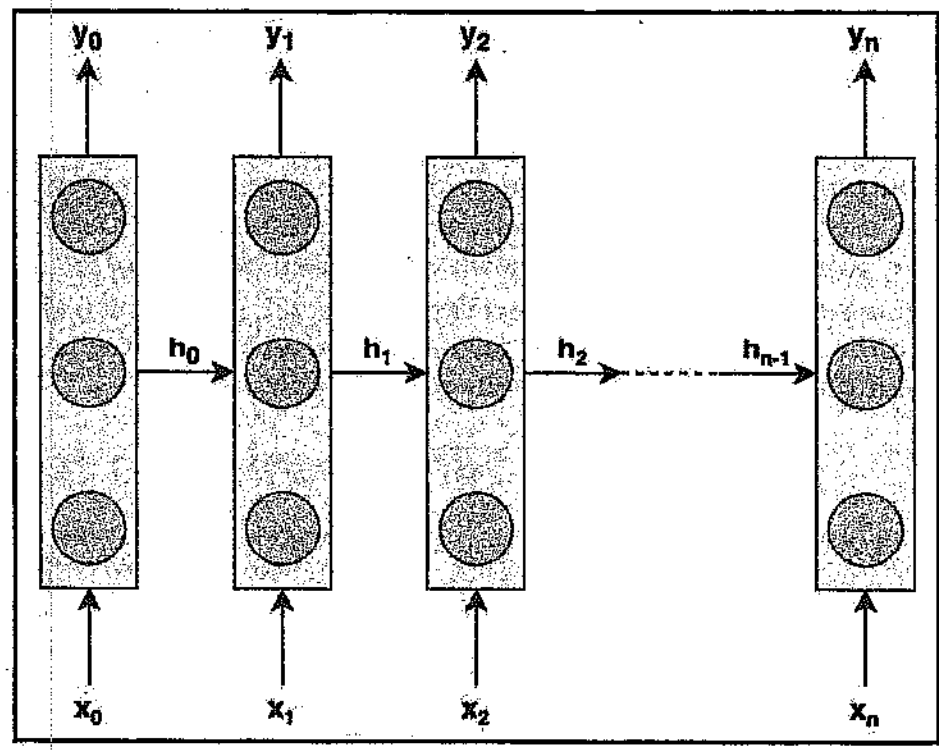


Lecture # NN2, figures

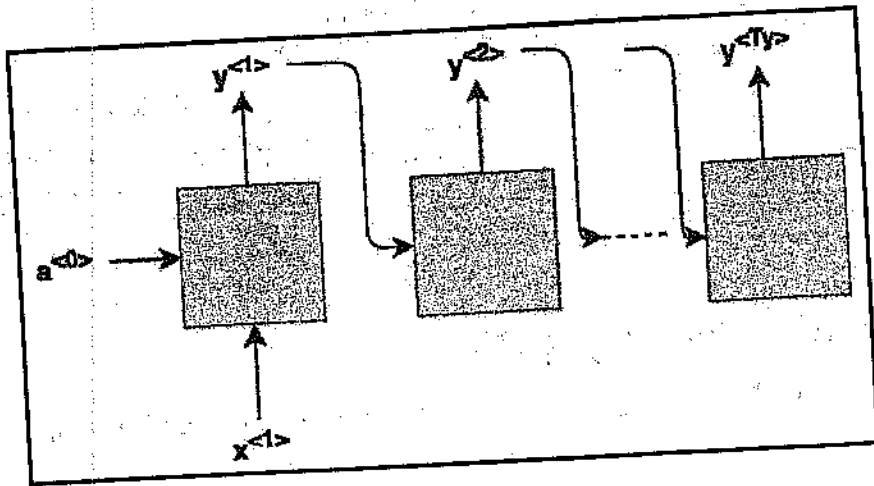
#1



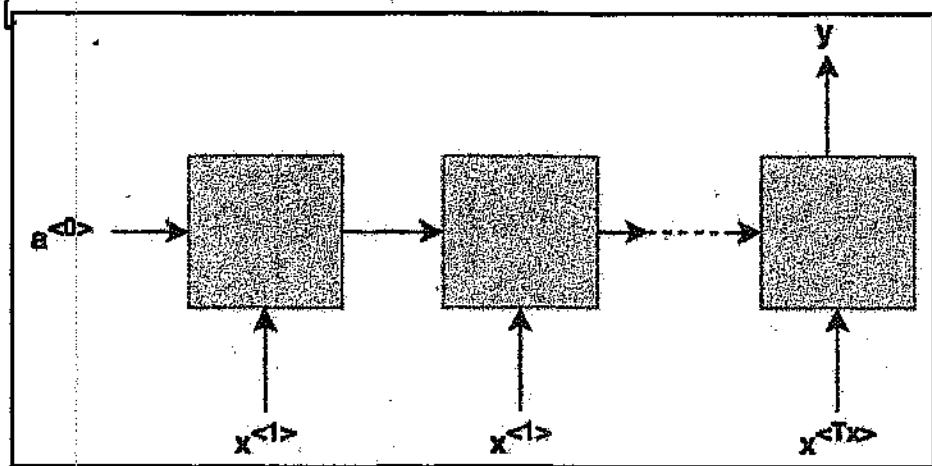
#2



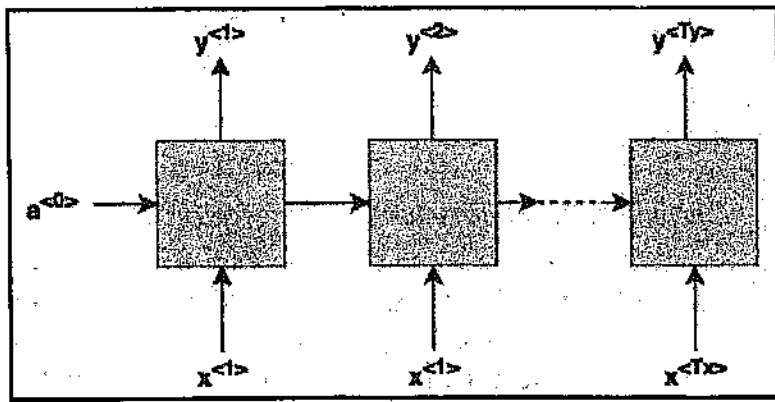
3



4

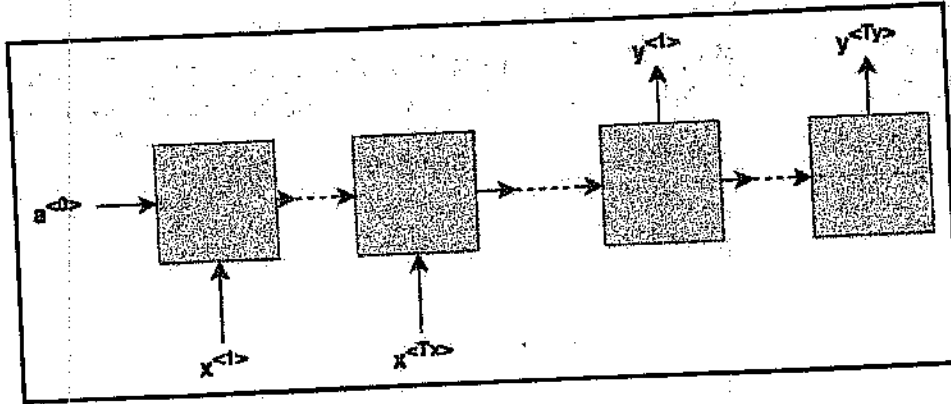


5

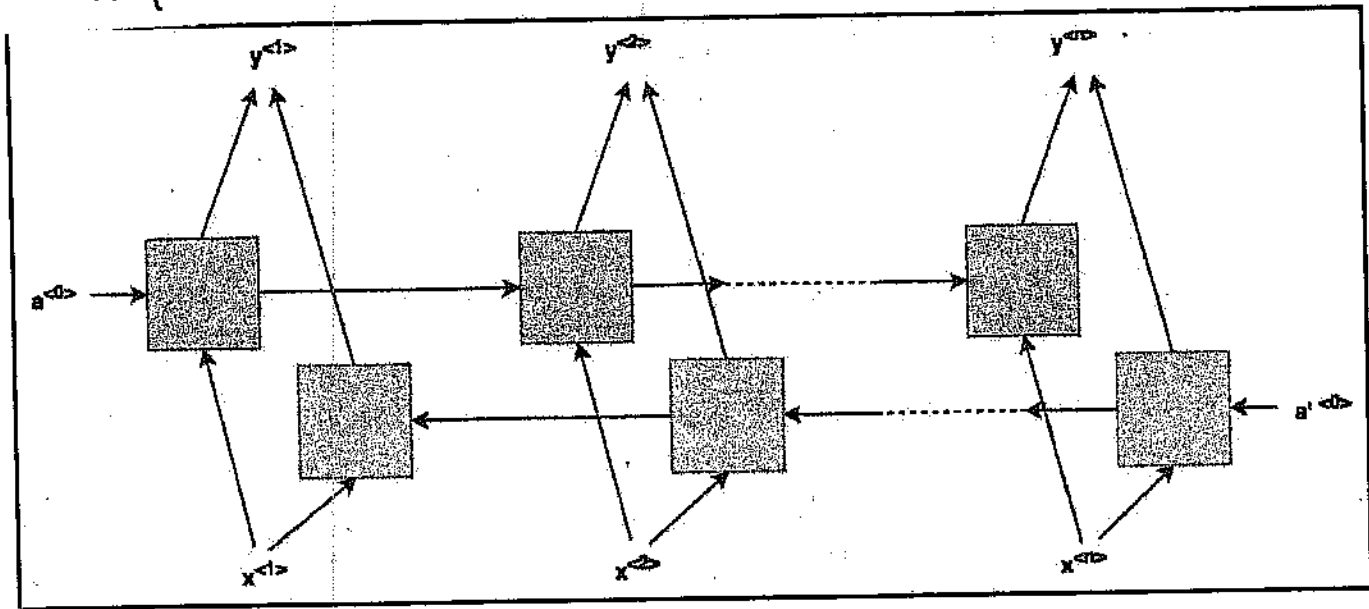


#6

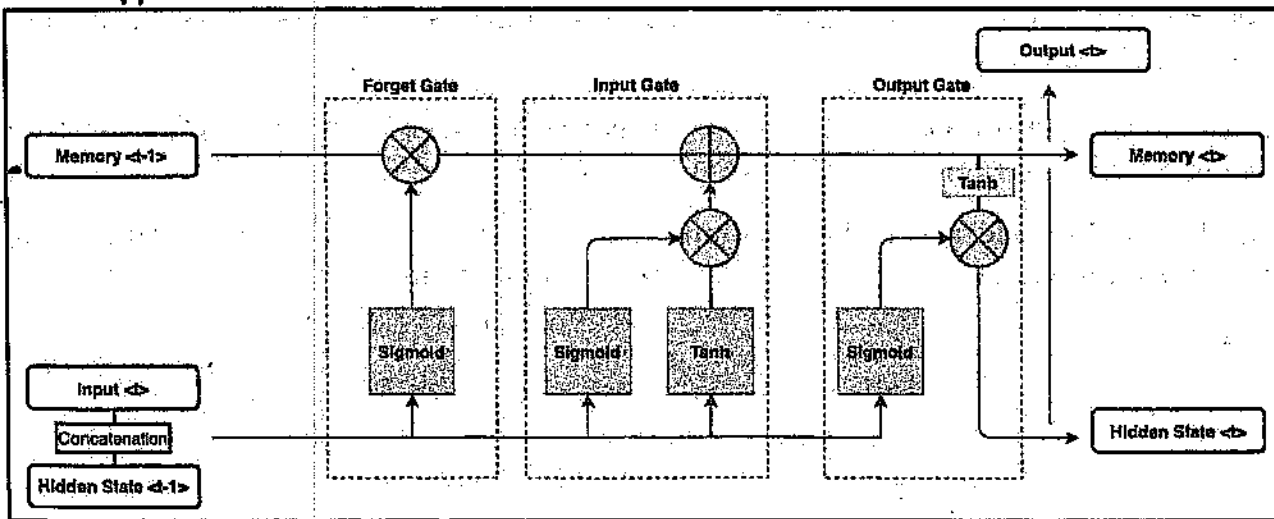
3



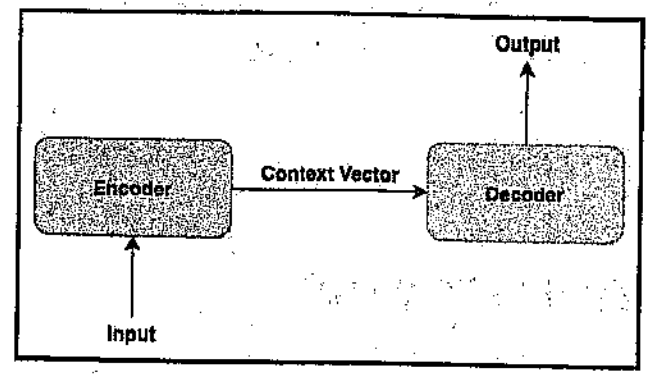
#7



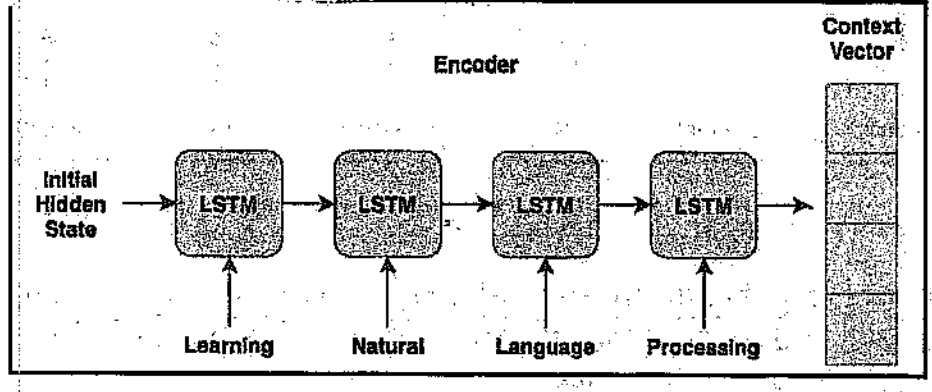
#8



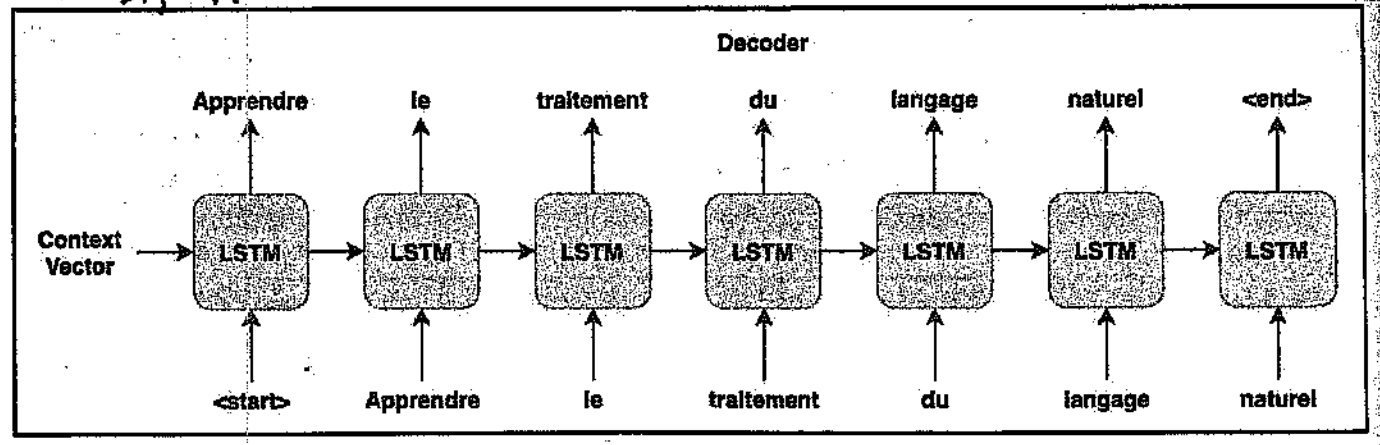
#9



#10



#11



#12

